

METER NANO EVIDENCE L

EN 16882:2016

Safety of mechanical seals used in tachographs



Bar code



Datamatrix code



QR code

Safety seal specially designed for use in the sealing of the sensor of the gearbox of commercial vehicles, according to the EN 16882: 2016 standard.

ROYAL PACK is self-certified as manufacturer of tachograph security seals, according to EN 16882: 2016, with the **RP** code.

Features

Security seal with rotor type closure with **visual tampering evidence**.

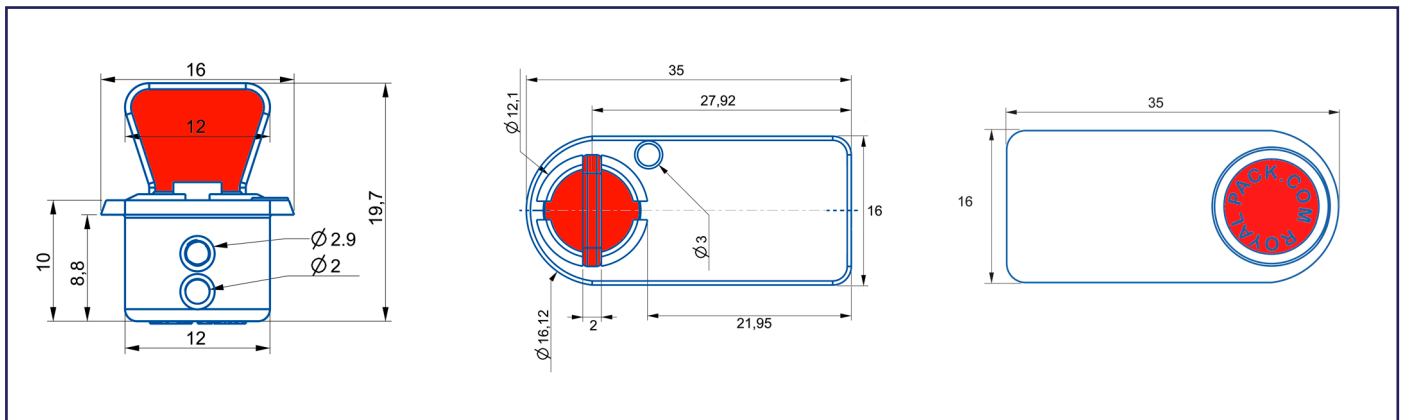
Manufacturer identification with high relief engraving.

Auxiliary tools are needless for operate.

Oversized and countersunk entry holes to facilitate threading.

Presentation in combs of 10 units to facilitate their selection and traceability.

Application with wire of desired length.



Material	Printing	Options	Features	Packaging
<p>Cuerpo: Transparent Policarbonato (PC)</p> <p>Rotor: Acetal resin Red</p>	<p>Laser printing</p> <p>Printing area: 15 x 21 mm</p>	<p>Bar code</p> <p>Datamatrix code</p> <p>QR code</p>	<p>Visual tampering evidence</p> <p>Oversized holes</p>	<p>10 units combs.</p> <p>1.000 units boxes: 22 x 32 x 19 cm 2 kg – 0,013 m³</p>