

User Guide

Mounting steps for connecting TachoSAFE to HW7

HW7 and TachoSAFE

Versions: 2

Date: 18.09.2017



1. Step

Plug in the connector to TachoSAFE module, which connects the Tachograph, TachoSAFE and HW7 GPS devices together.

2. Step

Unscrew the top of the HW7 GPS device and plug in the internal battery.

3. Step

Red socket needs to be inserted into tachograph "C" connector.



4. Step

The remaining 3 wires (Brown, Red, and White) need to be connected to Tachograph "A" connector

- Brown: Ground (KL31)
- Red: Battery (KL30)
- White: Ignition (KL15)

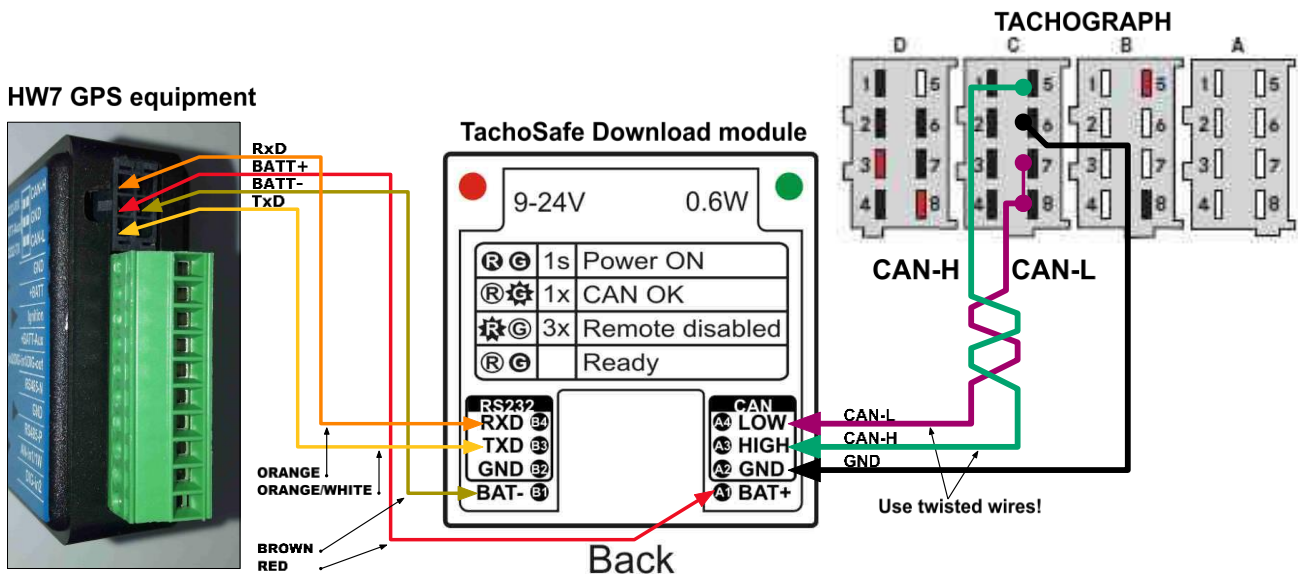
5. Step

GPS Antenna connector needs to be screwed before final mounting of the GPS device.

Notes:

- **The package contains HW7 devices paired with the corresponding SVT TachoSafe device. Do not mix the content of the packages!**

- **Connection diagram of the Tachograph to the HW7 GPS equipment through the TACHOSAFE download module:**



- **For a basic connection of a HW7 GPS unit follow the bellows schematic:**

